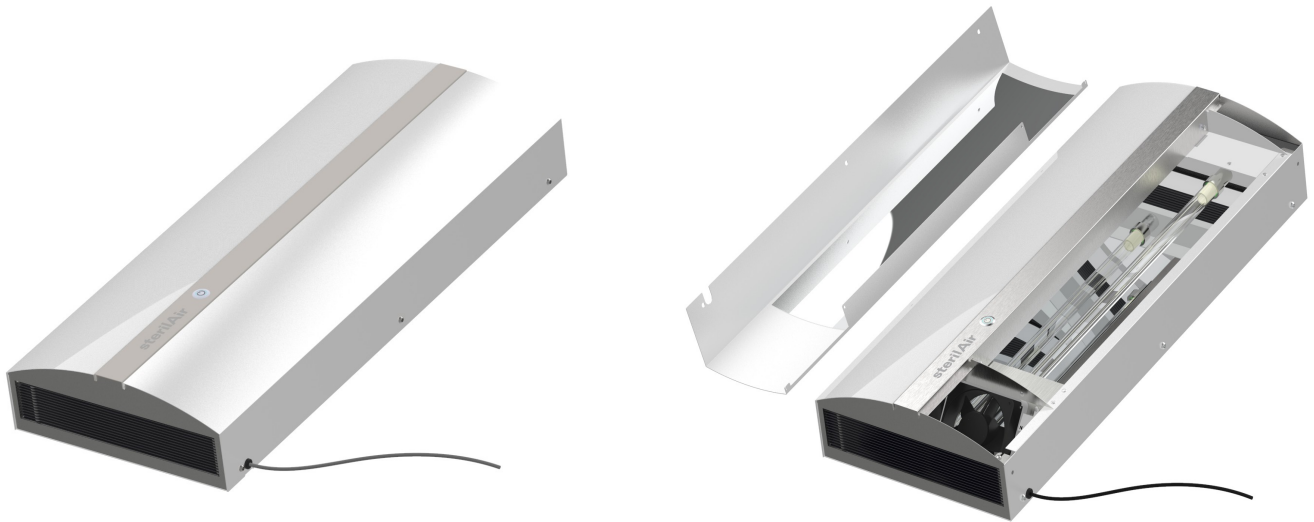


LSK 2130-4K

Air disinfection system



- Effective against airborne viruses and pathogens
- Laboratories, offices, meeting rooms, waiting rooms, medical centres, clinics, etc.
- For use in heavily frequented areas
- Silent operation
- Elegant design

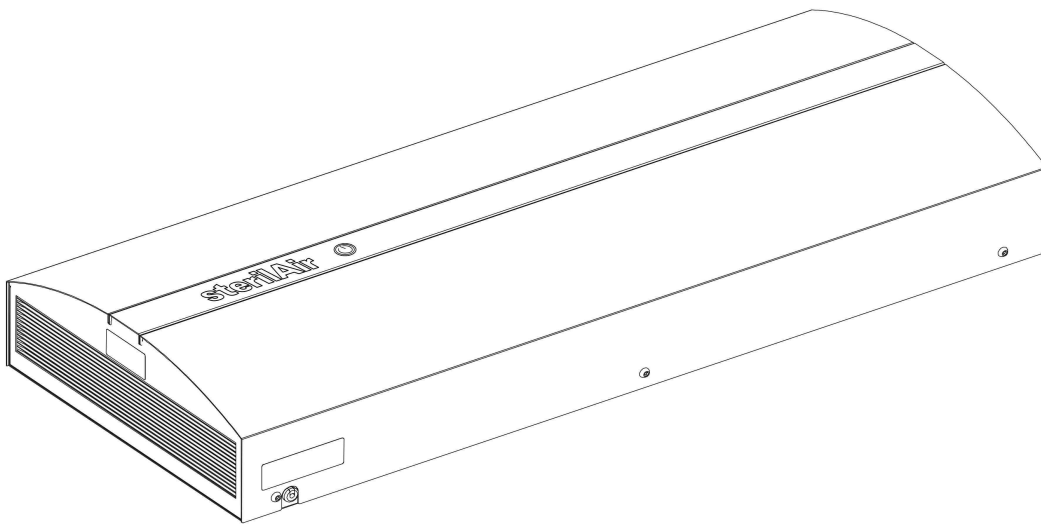
Product designation

LSK 2130-4K

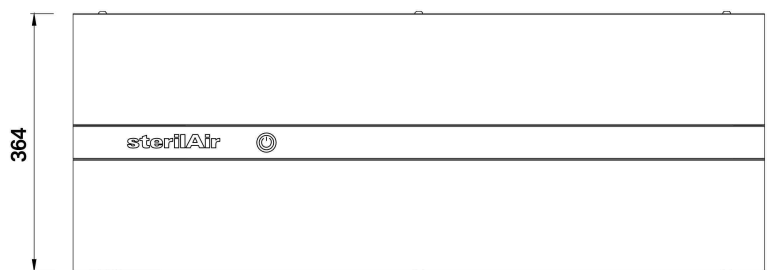
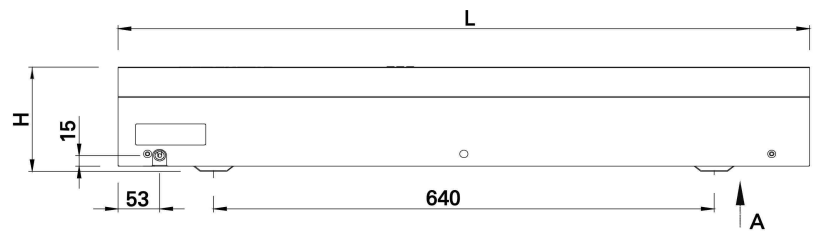
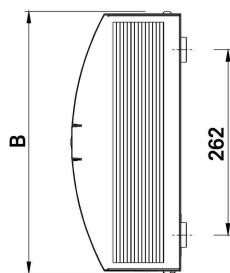
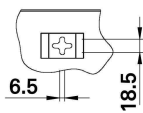
Power consumption	82 W, 0.36 A
Supply voltage	230 V _{AC} ±4%, 50..60 Hz
Total output, UVC _{254nm}	20 W
UV tube type	2x UVC 2030-4K
UV tube replacement interval	12'000 Std. (75% ±5% residual capacity)
Air circulation	140 m ³ / hour
Noise emission	39 dB _A
Material	Stainless steel (1.4301), lacquered sheet steel, PVC
Classification	CE, EMV
IP protection	IP 50

LSK 2130-4K

Air disinfection system



VIEW A



Product designation

LSK 2130-4K

Height H	147 mm
Length L	884 mm
Width B	371 mm
Weight per unit	16.5 kg